

**ReLink –
Elevating safety, preventing
catheter dislodgement**



Interlinked[®]
formerly known as Tada



16bn IV lines



* for IV therapy, in US and EU alone

Global disastrous consequences



- Patient injury and risk of death
- Toxic exposure for healthcare personnel
- Loss of medication & interrupted treatment

• **\$72bn** in annual costs*

* for IV therapy, in US and EU alone

ReLink

Breakaway connector

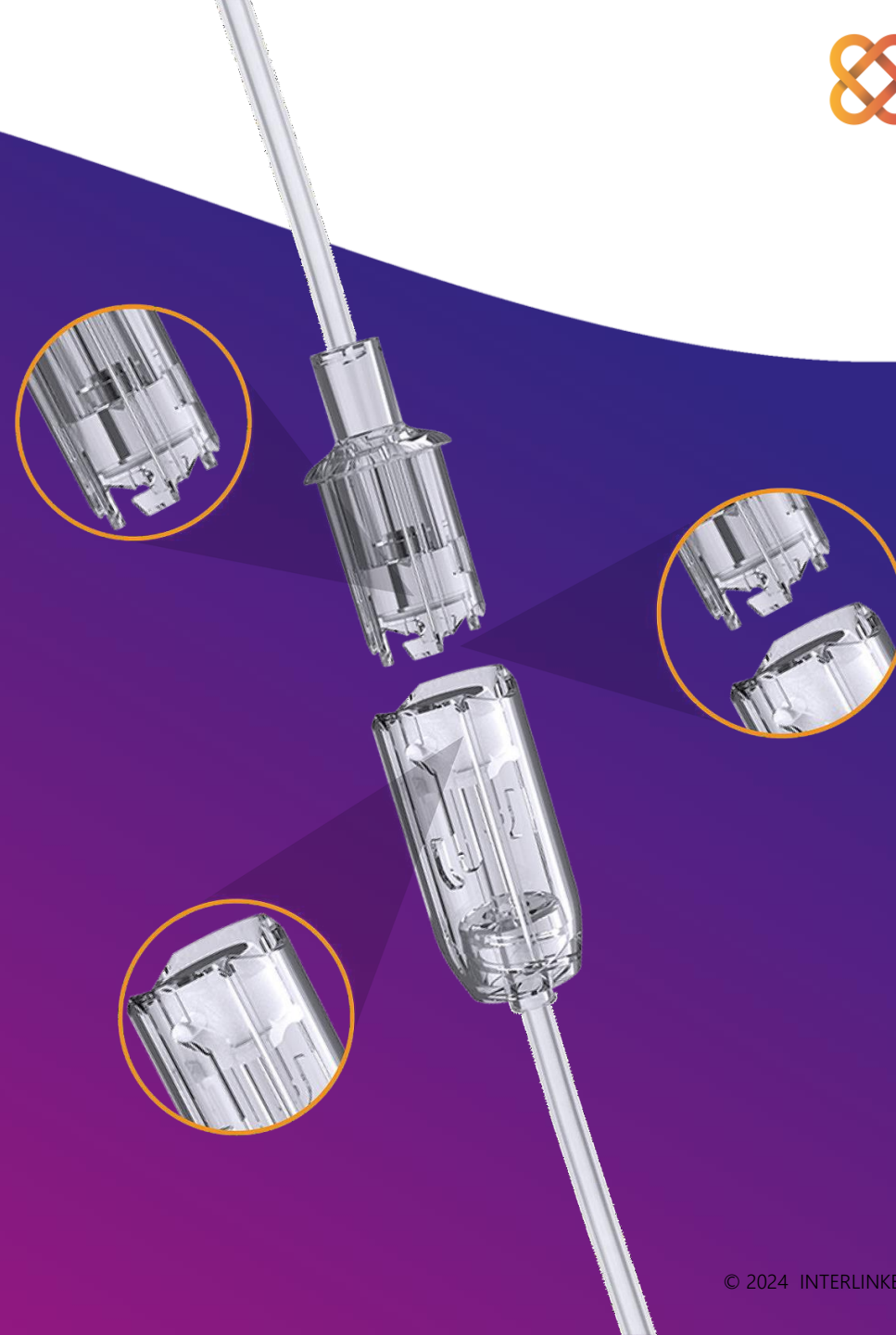
Weak link catheter protection

Self-sealing valves

Preventing leakage

Reconnectable

Rapid therapy restart



Market insight & Validation

73% reduction in IV dislodgements

90% less time to restart the IV line

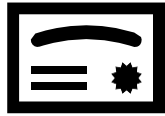
70% reduction in IV restart expenses

Keeps patients and nurses safe

Supports accurate drug delivery

Enhances nursing capacity

Our progress



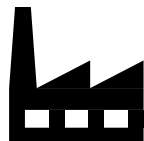
Patents in 26 countries



CE and FDA registration, Class I



Clinical evidence



Design freeze with stable small-scale production setup



Committed order and a strong sales pipeline



Our focus going ahead – Scale up



Scale up

1

Sales

2

Production

The team : well-equipped with M&A expertise

Winning team



Chief Quality
Officer



Chief Financial
Officer



Chief Strategy
Officer



Design Manager



HEOR & RWE Manager



Finance Controller



R&D Engineer



Intern



Katarina Hedbeck
CEO & Co-founder



Dr. Rebecca Bejhed
COO & Co-founder



Christopher Blacker, MD
Medical Lead
& Co-founder



Andreas Dahlen
Board Member



Antonio Sanchez-Cordero
Board Member

Financial structure

Pre-money € 8.8mn

Ask €500K

Thank you

Contact

Katarina Hedbeck
CEO & Co-founder
Katarina.hedbeck@interlinked.care
+46 702206500
www.interlinked.care

